

ANTI-STATIC BARS

1100 SERIES STATIC ELIMINATORS

The 1100 Series Static Eliminators are high performance ionisers for modern manufacturing. A resistive coupling between the high voltage source and the emitters gives them powerful ionisation with completely shockproof operation.

Their compact size makes them particularly suited to web and sheet applications where space is limited.

Available in two versions: the 1100 with fixed M4 mounting studs and the 1100-S with mounting studs which slide in a slot to the required position.



- > Operating distance from 20 mm to 100 mm.
- > Suitable for most industrial processes, including pharmaceutical and food manufacturing.
- > Simple to install, with fixed or variable mounting studs.
- > All electronic components encapsulated in epoxy resin for protection and maximum durability, giving the Bar an IP66 rating, and suitable for wash down applications.

Specification

Length:	From 60mm to 3000mm.
Construction:	Anodised aluminium, epoxy resin, ABS and hardened etched emitters.
Cable:	Hi-Flex 30 kV screened cable with 70 mm bend radius. Standard length is 2 m - longer lengths can be specified at time of order (subject to maximum load on power unit).
Safety:	5 mA maximum current from Power Unit. High voltage resistance inside bars further limits current below 50 μ A.
Protection Classification:	IP66. Fully sealed.
Environment:	60° maximum temperature. 70% rH non-condensing max.
Power Units:	Use with Fraser 5.5 kV and 6 kV Power Units. See Datasheets.
Standards:	CE.

How It Works

High voltage is applied in a controlled and safe way to the emitters. This ionises the surrounding air and releases ions of the opposing polarity needed which neutralise the charge.

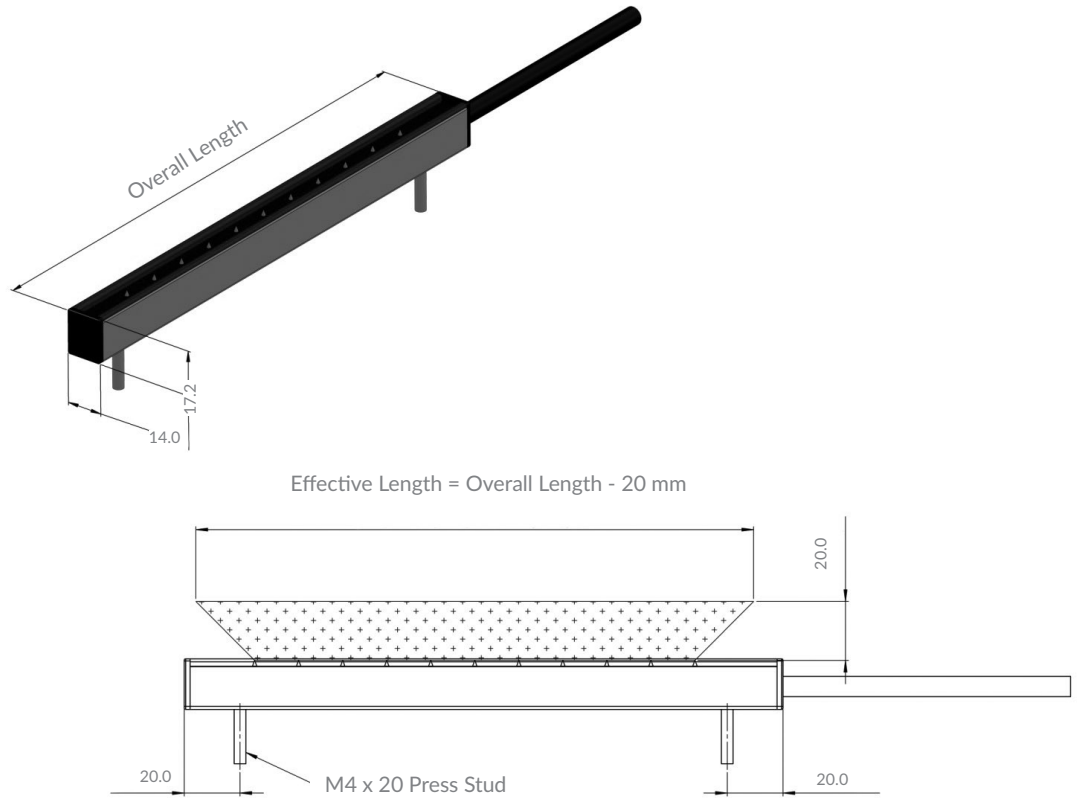
Unused ions quickly dissipate into the atmosphere.

Dimensions & Installation

Model 1100

Most compact version with fixed mounting studs 20 mm from each end.

Studs are M4 x 20 mm.



Model 1100-S

Version with versatile mounting - with a slot in which M4 mounting studs can slide.

